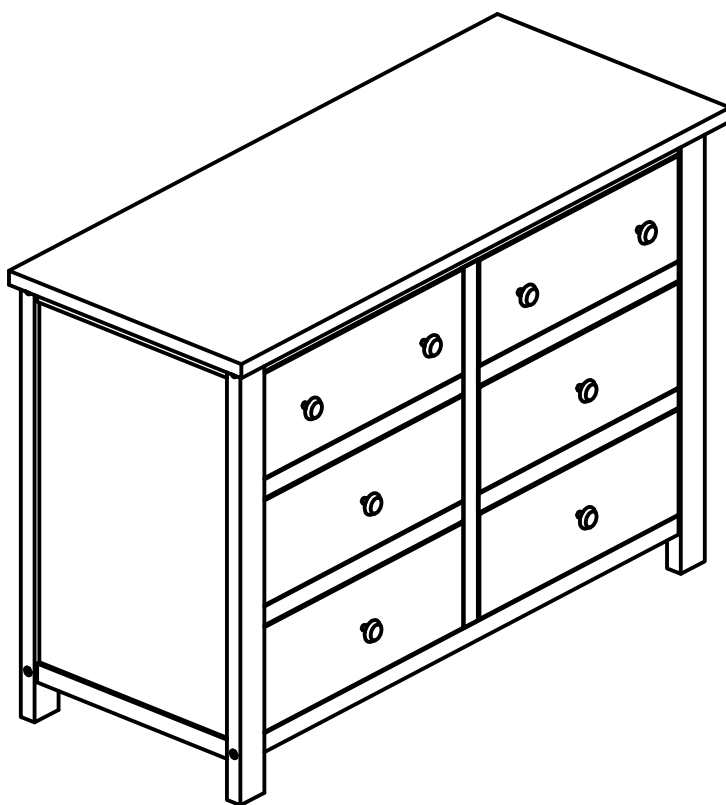




Branch Collection

Double Dresser Assembly Manual



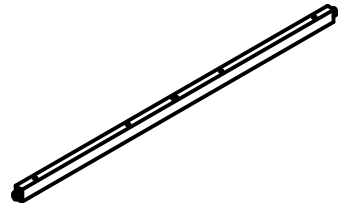
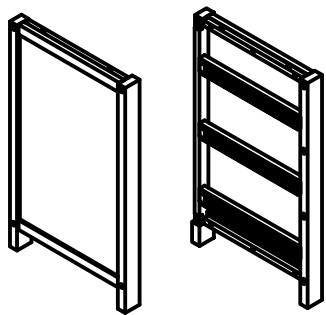
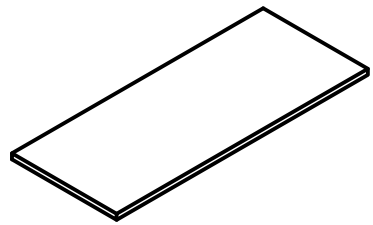
Adult assembly required due to the presence of small parts, sharp points & sharp edges.

Before assembly, read these instructions. Make sure all pre-assembled parts are tight. Store this instruction manual for future reference.

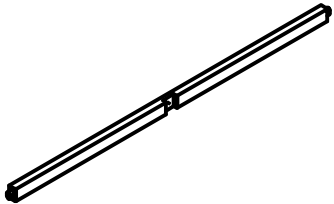
If you have any questions during assembly or you are missing parts, Please contact us! We are here to help.

Parts

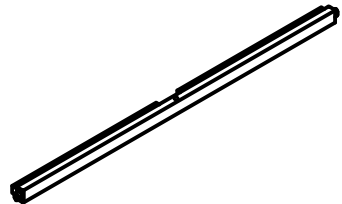
- (A)** Top Panel (x1)
- (B)** Left & Right side assy. (x2)
- (C)** Front Top Hor. Bar (x1)



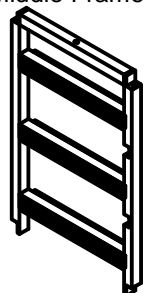
- (D)** Front Middle Hor. Bar (x2)



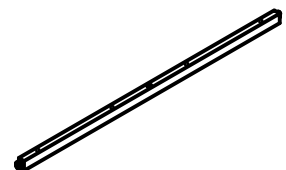
- (E)** Front Bottom Hor. Bar (x1)



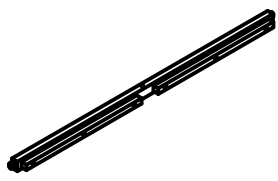
- (F)** Middle Frame Assy. (x1)



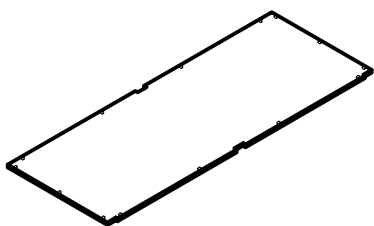
- (G)** Back Top Hor. bar (x1)



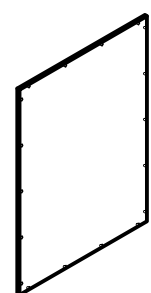
- (H)** Back Bottom Hor. Bar (x1)



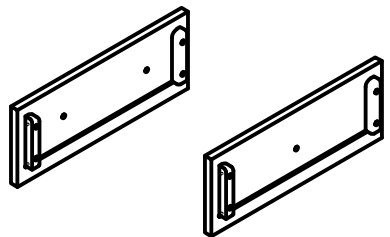
- (I)** Bottom panel (x1)



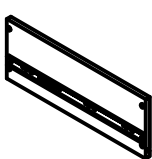
- (J)** Back panel (x2)



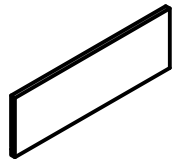
- (K)** Top Drawer Face (x2)



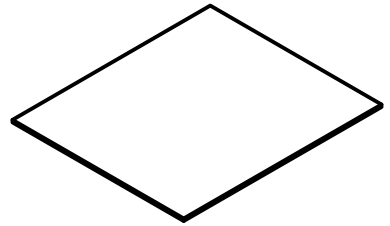
- (L)** Left and Right Drawer side (x12)



- (M)** Drawer Back (x6)



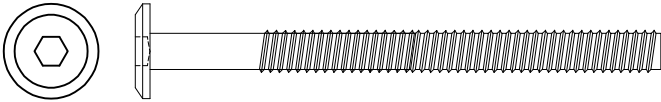
- (N)** Drawer Flooring (x6)



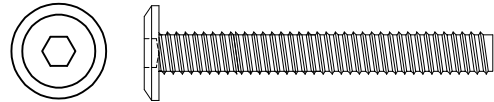
- (K)** Middle and Bottom Drawer Face (x4)

Hardware

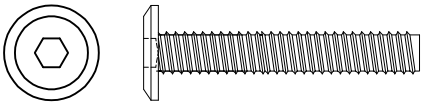
AA M6 x 70mm Bolt (x8)



BB M6 x 45mm Bolt (x13)



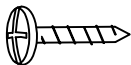
CC M6 x 30mm Bolt (x4)



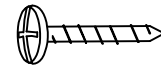
DD "L" Allen Wrench (x1)



EE Ø4x20mm Screw (x52)



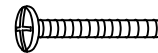
FF Ø4x25mm Screw (x48)



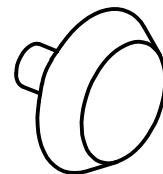
GG Ø4x40mm Screw (x4)



II Ø4 x 25mm Bolt (x8)



HH Wooden Handle (x8)

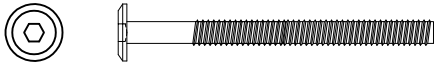


Parts Needed:

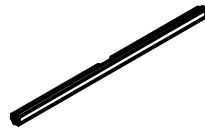
DD "L" Allen Wrench (x1)



AA M6 x 70mm Bolt (x4)



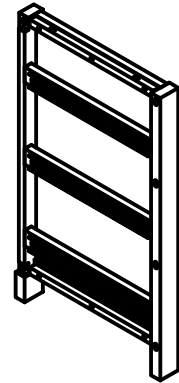
E Front Bottom Hor. Bar (x1)



H Back Bottom Hor. Bar (x1)

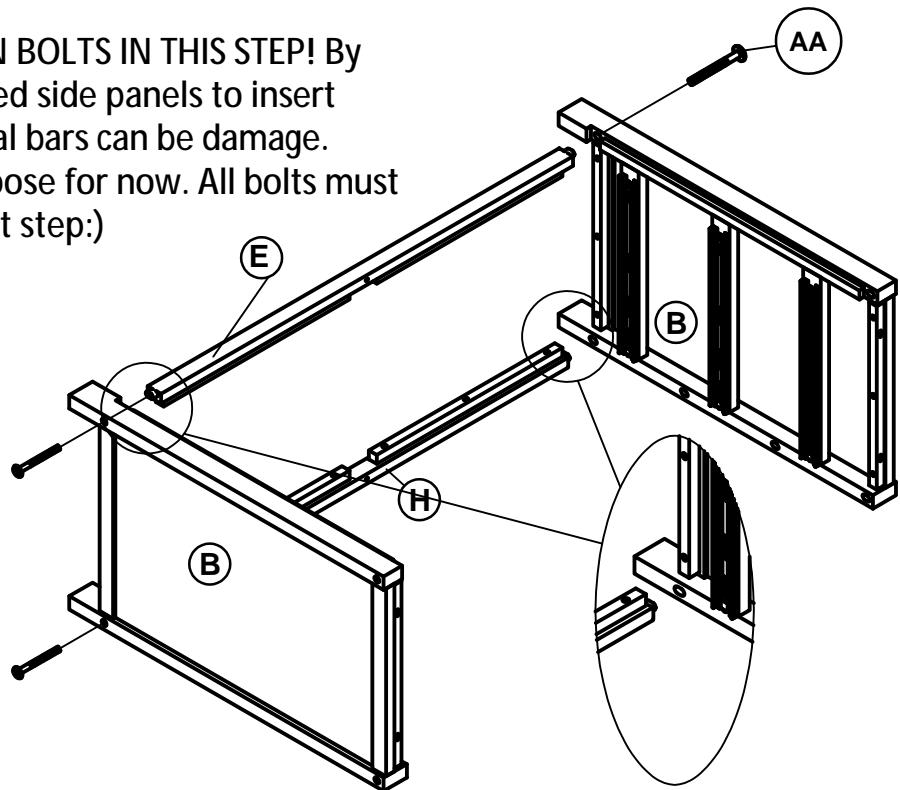


B Left & Right side Assy. (x2)



1 How to assemble Dresser

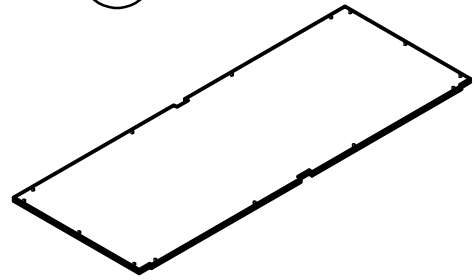
NOTE: DO NOT TIGHTEN BOLTS IN THIS STEP! By prying open tightly bolted side panels to insert bottom panel, horizontal bars can be damage. Bolts/joints must stay loose for now. All bolts must be tightened on the next step:)



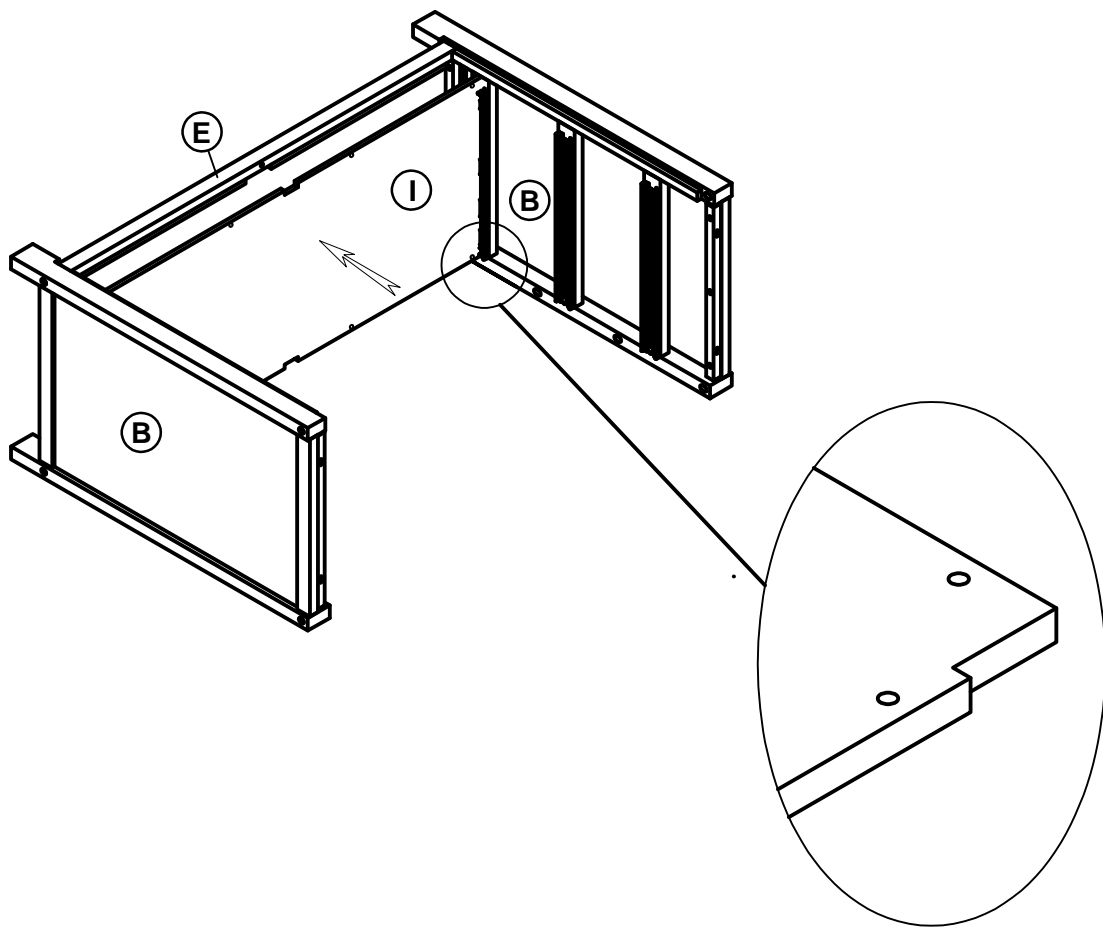
1. Attach Left and Right side assy. (B) thru the Front Bottom Hor. Bar (E) thru Back Bottom Hor. Bar (H) using 4 pcs Bolt (AA). **DO NOT** tightened bolts, but attach loosely (Screw halfway in) to allow bottom panel to slide in below drawer glide and sit flush between Hor. (E)(H).

Parts Needed:

Ⓛ Bottom panel (x1)

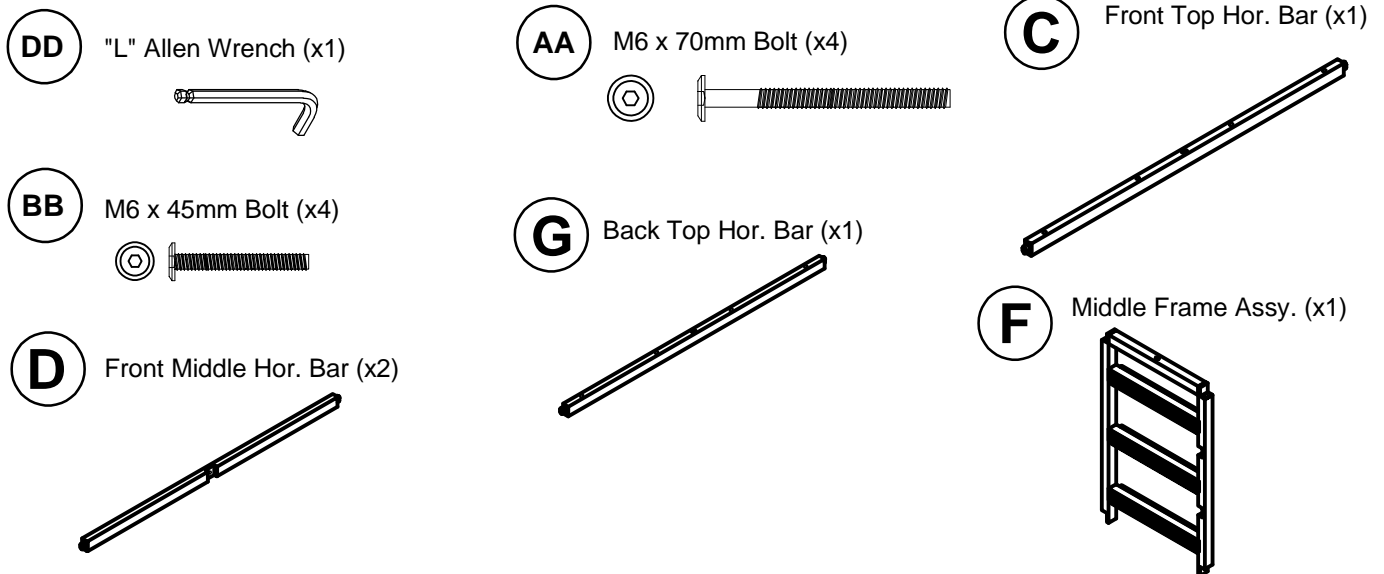


2 How to assemble Dresser



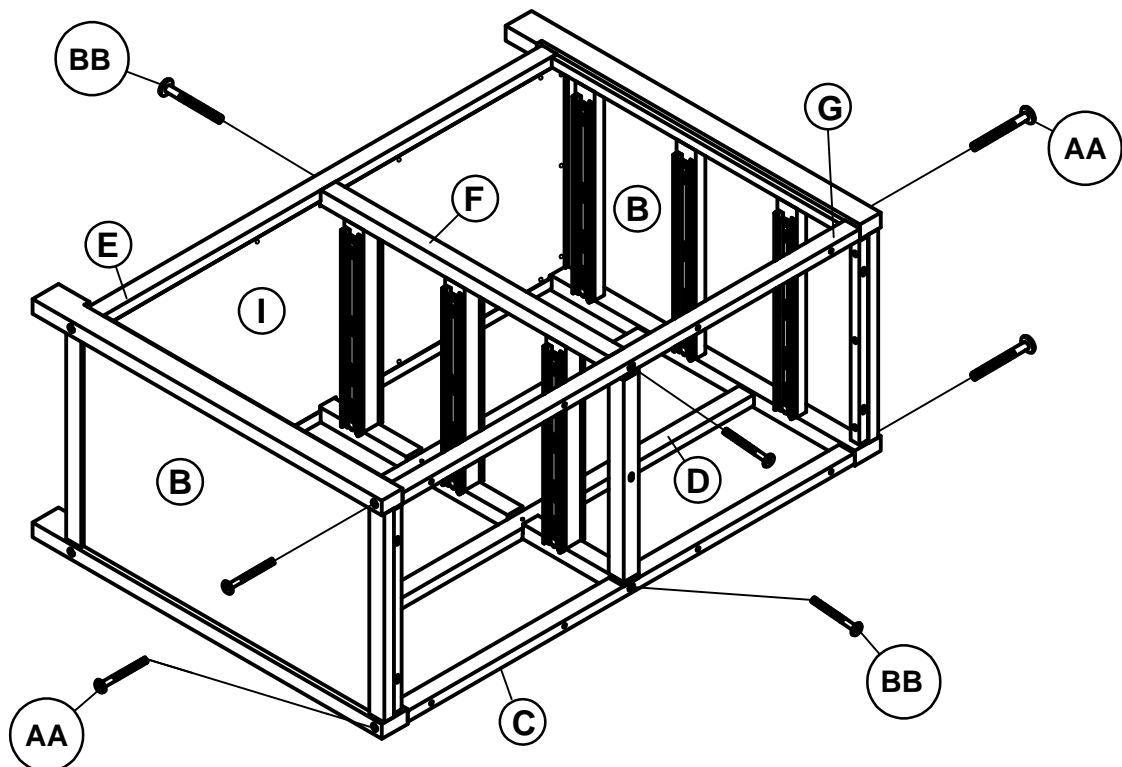
2. With Bolts (AA) attached loosely, set the bottom panel (I) into the bottom of case keeping the bolts still slightly loose until after all horizontal are attached. (Next step.) The bottom panel should sit flush with Front Bottom Hor. Bar (E) and Back Hor. Bar (H).

Parts Needed:



3

How to assemble Dresser

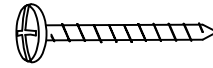
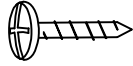


3. Attach Middle Frame Assy. (F) to middle of the case, the attach the Front Top Hor. Bar (C) then Front Middle Hor. Bar (D) and then the Back Top Hor. Bar (G). Then insert the 4 pcs Bolt (BB) on the bottom and top of the Middle Frame Assy. (F) then tightened. Then insert the 4 pcs bolt (AA) to both side of the side Assembly. Now go back and tightened all bolts but do not over tightened or insert will be damage.

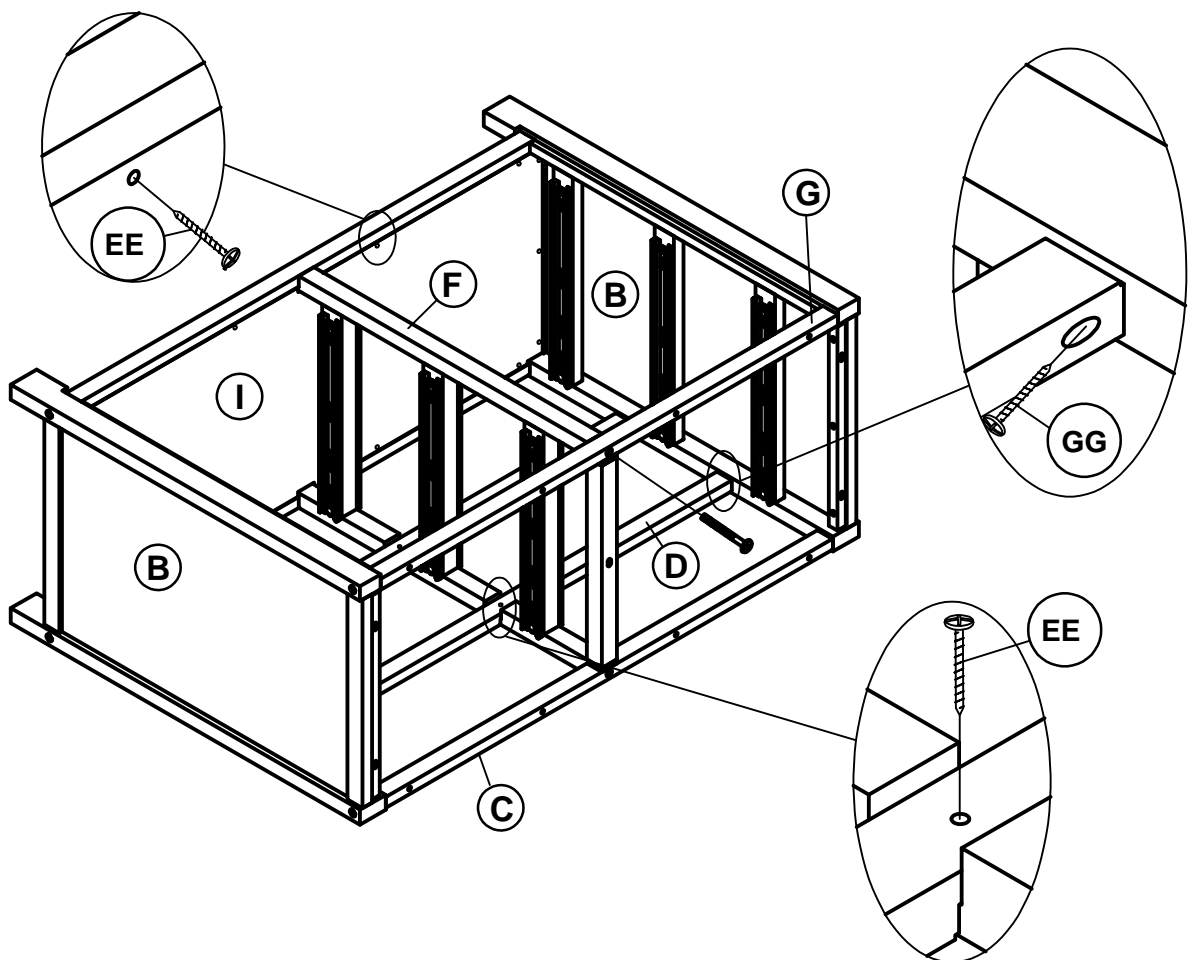
Parts Needed:

ⓔⓔ Screw $\text{Ø}4 \times 20\text{mm} (\times 16)$

ⓖⓖ Screw $\text{Ø}4 \times 40\text{mm} (\times 4)$



4 How to assemble Dresser



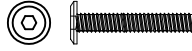
4. Screw the underside of Front Middle Hor. Bar (D) using screw (GG). Then screw the middle portion of the Front Middle Hor. Bar (D) using screw (EE). Lastly, screw the bottom panel (I) using also screw (EE). Again, tighten all bolts but do not over tighten.

Parts Needed:

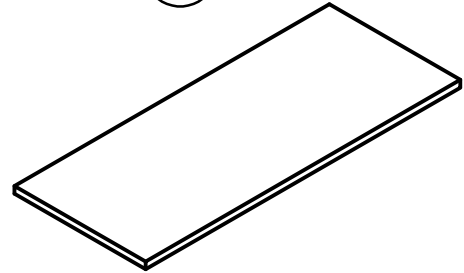
DD "L" Allen Wrench (x1)



CC M6 x 30mm Bolt (x4)



A Top Panel (x1)

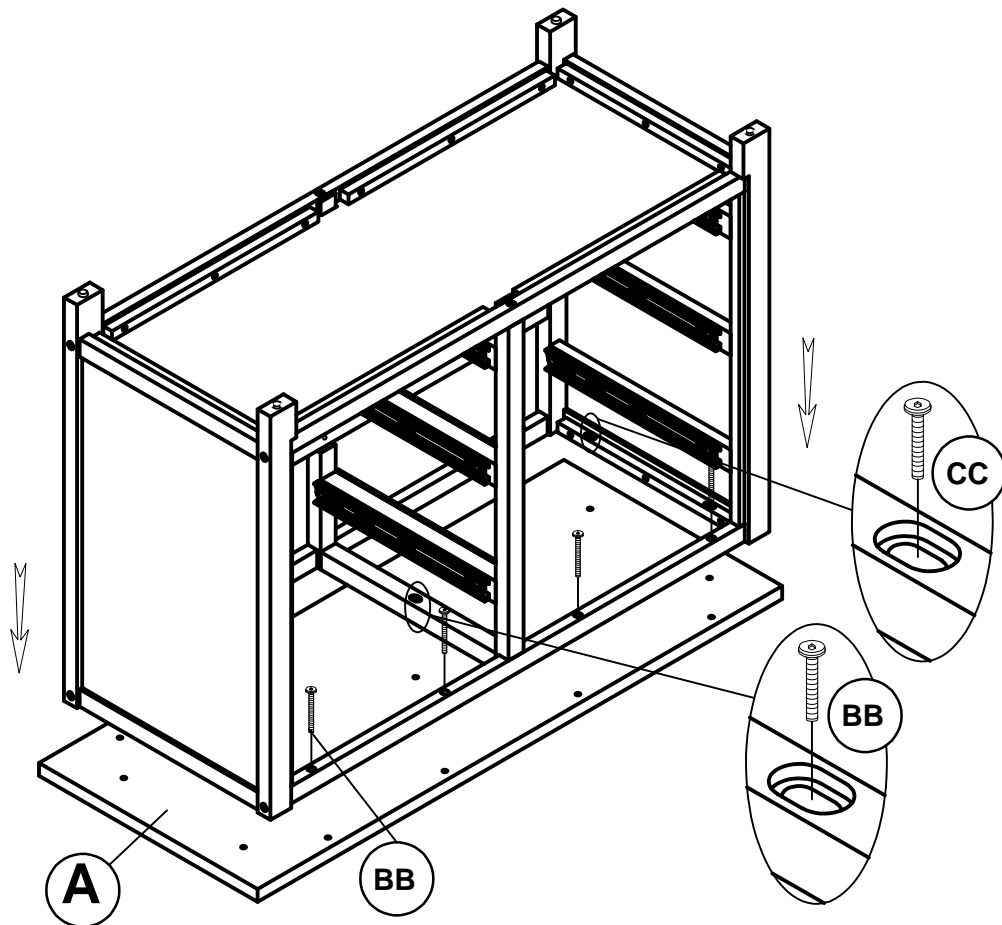


BB M6 x 45mm Bolt (x4)



5

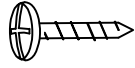
How to assemble Dresser



5. After case is assembled, put the top panel on the ground and turn the case upside down and put on the Top Panel (A) and align the back portion of the top panel to back of the case, Then attach the bolt (BB) on front, back and center bars, Lastly, attach the bolt (CC) on both side of the case.

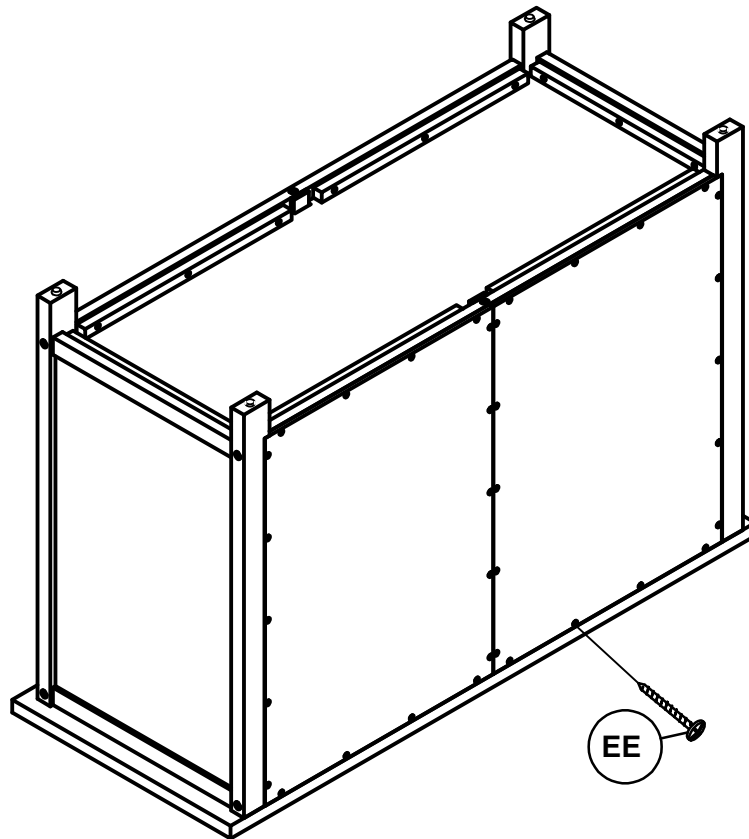
Parts Needed:

ⓔⓔ Screw Ø4x20mm(x36)



6

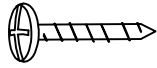
How to assemble Dresser



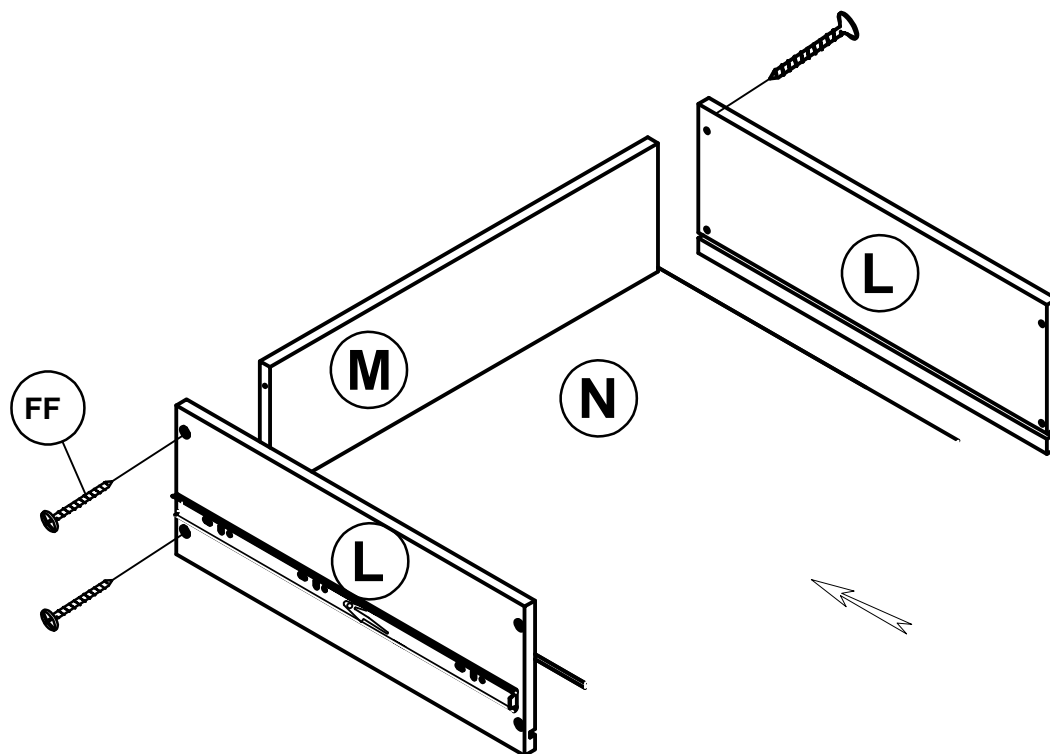
6. Attach the 2 pcs Back Panel (J) using Screw (EE).

Parts Needed:

(FF) Screw $\varnothing 4 \times 25 \text{mm} (\times 24)$



7 How to assemble Drawers



7. Attach the Left and Right Drawer side (L) to Drawer Back (M) using Screw (FF). Then slide the Drawer Flooring (N) into the slot located inside. All parts but the drawer front are universal.

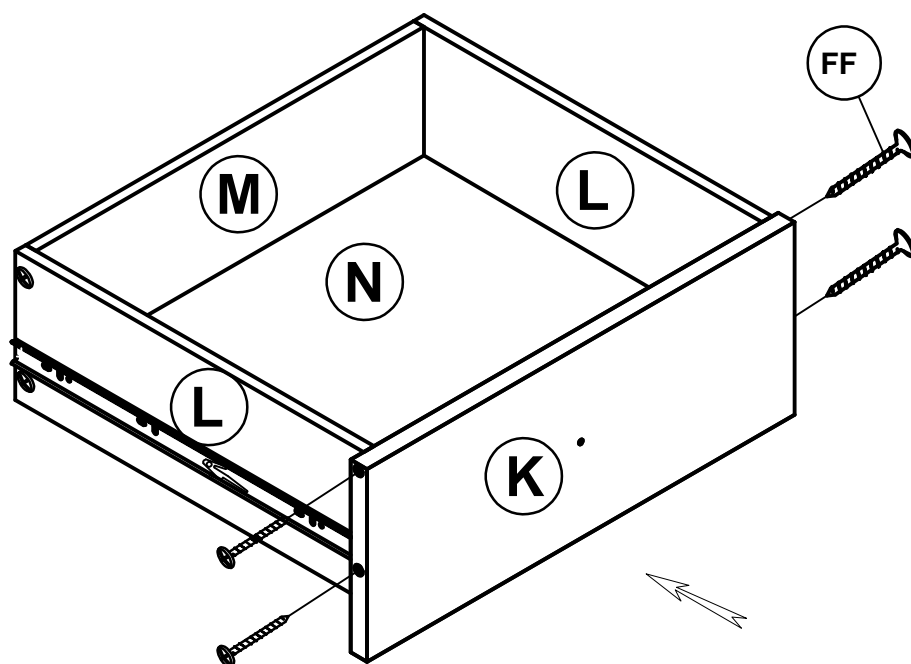
Parts Needed:

(FF) Screw $\text{Ø}4 \times 25\text{mm} (\times 24)$



8

How to assemble Drawers

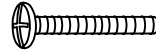
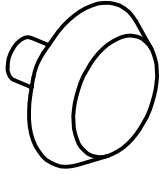


8. Attach the Drawer Face (K) to the box by inserting into the slat located inside, then after its totally fitted fix the drawer face using Screw (FF).

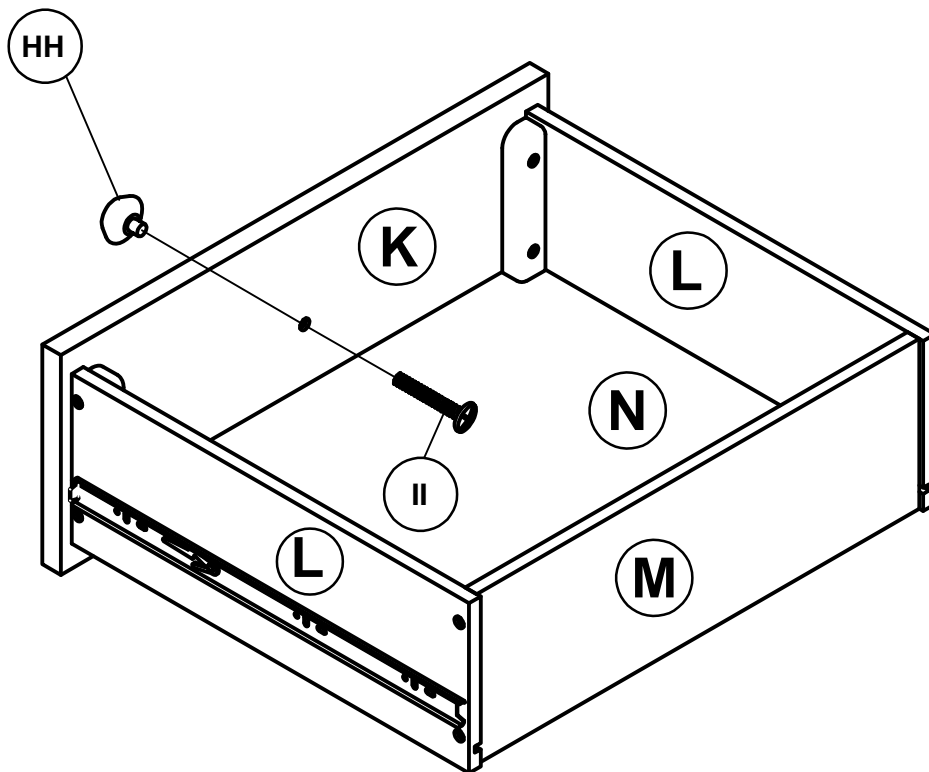
Parts Needed:

(HH) Handle (x8)

(II) Ø4 x 25mm Bolt (x8)



9 How to assemble Drawers

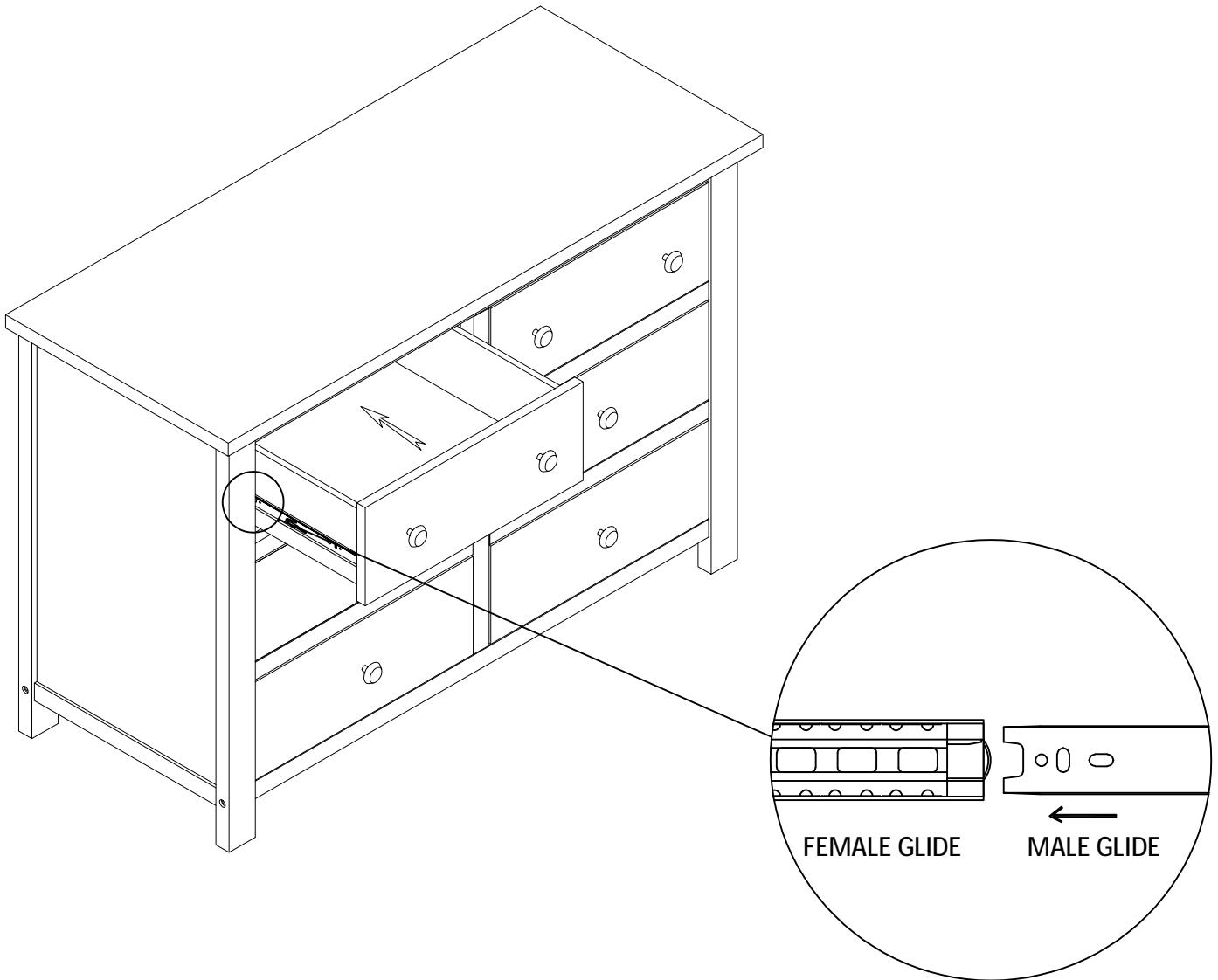


9. Attach Wooden Handle (HH) from the outside of the drawer using Bolt (II). And now you are ready to put the drawers inside the case.

Parts Needed:

10

How to assemble Drawers

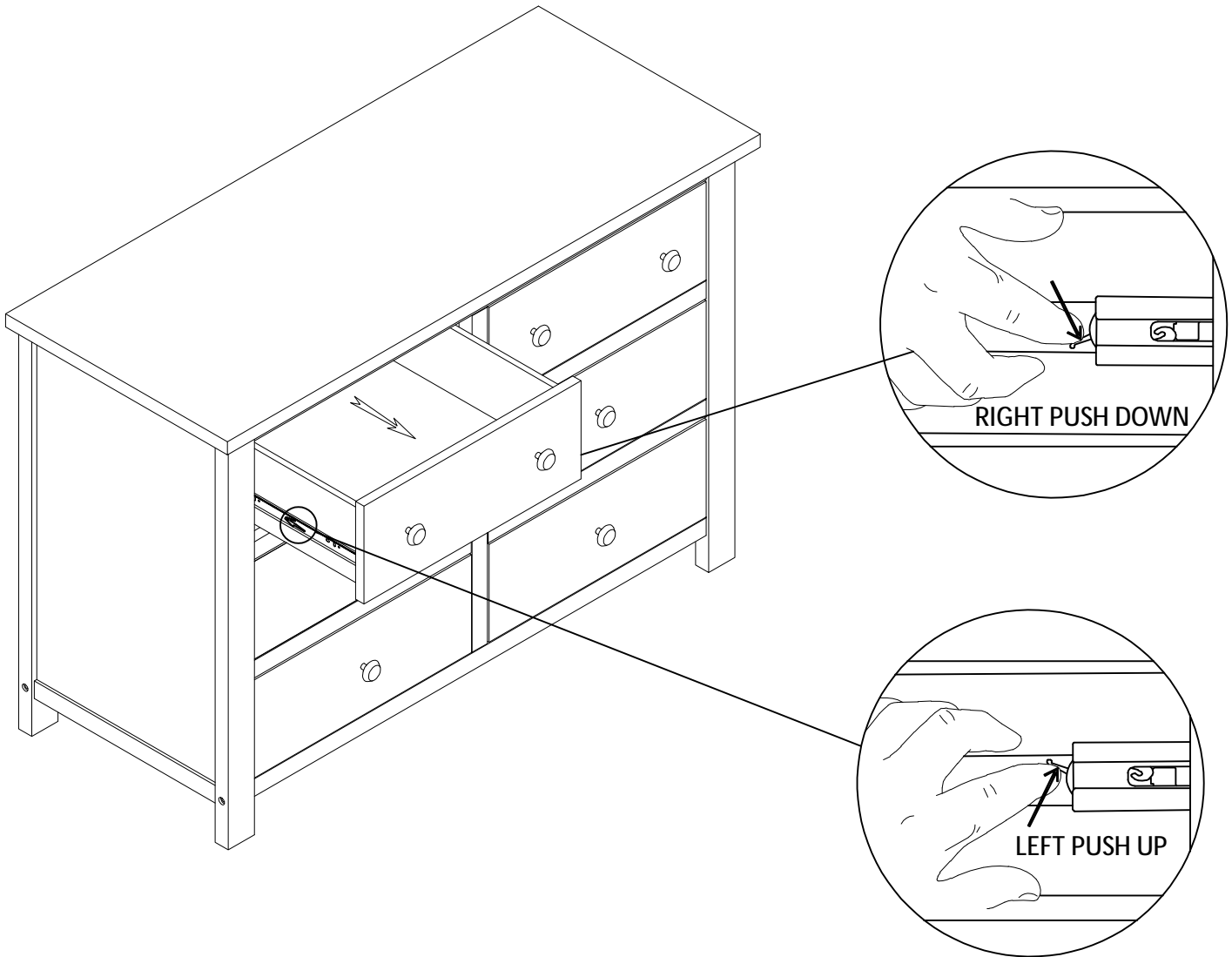


10. To attach drawer assemblies inside the case, insert the male drawer glides to female drawer glides. After drawers are aligned, push drawers until they sit flush with the frame. You must push drawers in with a bit of force for the glides to lock in. If drawer faces are still not flush with the case front, use wheel to adjust up and down. (See single insert page.)

Parts Needed:

11

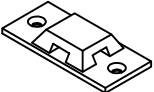



How to remove Drawers

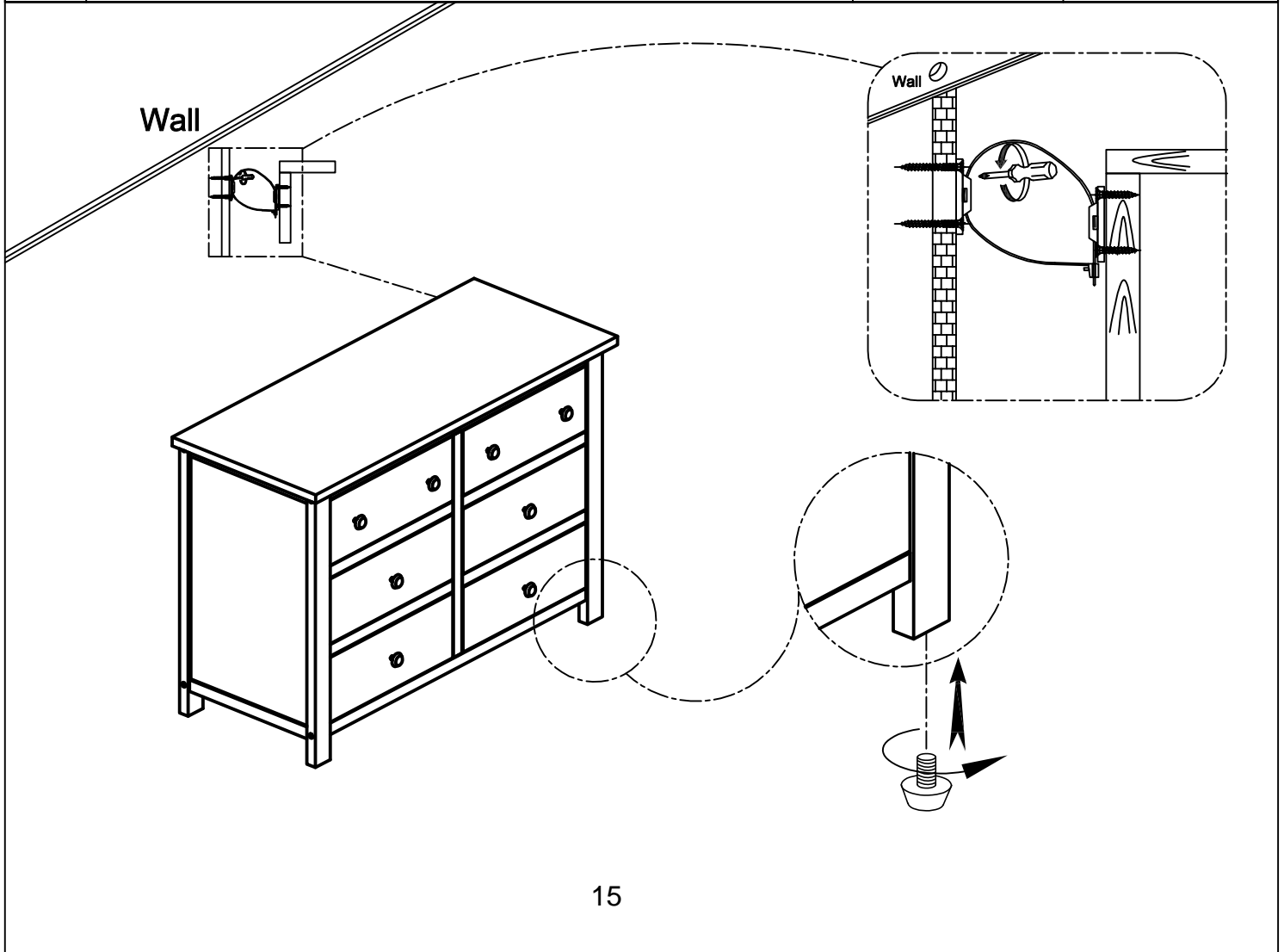


11. To remove a drawer from the case, pull the drawer out to its fully extended position. Then, at the same time, push down on the lever located on the right side glide and push up on the lever located on the left side glide. Do both side together and pull the drawer out from the case. Will release easily if this action is done at the same time! See detail diagram above.

Branch Collection Double Dresser Anti-Tip Kit ASSEMBLY INSTRUCTIONS

HARDWARE LIST

NO	DESCRIPTION	PICTURE	QTY/PCS
A	L BRACKET		4 PCS
B	CABLE		2 PC
C	LONG SCREW		4 PC
D	SCREW		4 PC



Branch Collection
Double Dresser
Anti-Tip Kit
ASSEMBLY INSTRUCTIONS

REMINDERS

- Install provide anti-tip kit.
- Place heaviest items in the lowest drawers.
- **Unless specifically design to accommodate, do not set TVs or other heavy object on top.**
- **NEVER allow children to climb or hang on drawers, doors or shelves.**
- **NEVER open more than one drawer at a time.**
- **Use of tip-over restraints may only reduce, but not eliminate, the risk of tip over.**



If a part is missing or you have questions, contact your local retailer. They will serve and support you and your family!

1-844-876-5455

Email: customerservice@milkstreetbaby.com

Disassembling Dresser For storage

To Disassemble rocker for storage, follow steps in reverse

Store all parts and hardware together in a safe place. Store the instruction manual in the safe place for future reference and for reassembly.

Care and Maintenance

To keep your Milk Street Furniture looking its best, use only mild, non-toxic soap and warm water. Do not use bleach or detergent. Do not use abrasive cleaners which can compromise the finish. Use a clean, soft cloth to wash, Rinse away any soap residue and dry thoroughly. With proper care, the look and feel of this unique finishes will actually get better as they age. Seriously! Wood finishes maybe treated with a light application of high-quality, non toxic furniture polish or oil. A little care goes a long way.



**If a part is missing or you have questions, contact us! We are here to help.
you and your family!**

1-844-876-5455

Email: customerservice@milkstreetbaby.com



We would love to hear more from you !

Send us an email and let us know, in a few sentences, why you chose Milk Street Baby, how your furniture arrived, and how our retail partner serviced you and your family. This should only take 5-10 minutes. In return for your time and for your willingness to let us share your thoughts online, Milk Street Baby will send you a free gift to enhance your nursery.

customerservice@milkstreetbaby.com

Let us hear what you feel about your purchase and give us mailing address to which we can send your "thank you" gift.

As a young and growing company, your positive review is invaluable!

Looking forward to reading your review!

We greatly appreciate your purchase as well as your willingness to help us improve.

Sincerely,

The Milk Street Team.